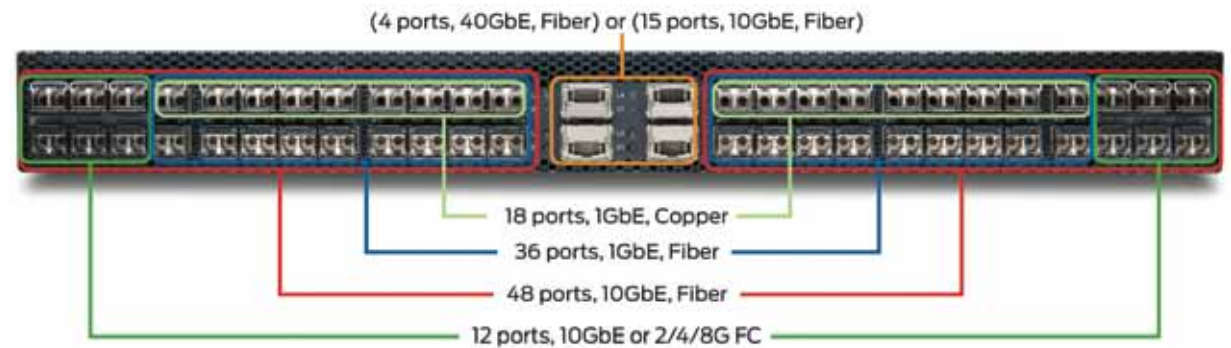


	SWITCHES					
	EX2200	EX2500	EX3200	EX4200	EX4500	EX8200
Form Factor	Fixed Platform	Fixed Platform	Fixed Platform	Fixed Platform, Virtual Chassis up to 10 devices	Fixed Platform	EX8208: 8-slot modular chassis EX8216: 16-slot modular chassis
Backplane Speed	N/A	N/A	N/A	128Gbps (Virtual Chassis)	N/A	320Gbps (full duplex) per line card. 6.2 Tbps (EX8208) or 12.4 Tbps (EX8216) per chassis
Data Rate	EX2200-24P/24T: 56 Gbps EX2200-48P/48T: 104 Gbps	480 Gbps	EX3200-24P/24T: 88 Gbps EX3200-48P/48T: 136 Gbps	EX4200-24P/24T/24F: 88 Gbps EX4200-48P/48T: 136 Gbps	960 Gbps (full duplex)	EX8200-48T / EX8200-48T-ES: 96 Gbps. EX8200-48F / EX8200-48F-ES: 96 Gbps. EX8200-8XS / EX8200-8XS-ES: 160 Gbps. EX8200-40XS: 800 Gbps
Throughput	EX2200-24P/24T: 42 Mpps (wire speed) EX2200-48P/48T: 77 Mpps (wire speed)	357 Mpps (wire speed)	EX3200-24P/24T: 65 Mpps (wire speed) EX3200-48P/48T: 101 Mpps (wire speed)	EX4200-24P/24T/24F: 65 Mpps (wire speed) EX4200-48P/48T: 101 Mpps (wire speed)	714 Mpps	120 Mpps per line card (wire speed). 960 Mpps (EX8208) or 1.92 Bpps (EX8216) per system
10/100/1000 BASE-T Port Densities	24 / 48 per platform	24 (dual-mode 1/10GbE network ports)	24 / 48 per platform	24 / 48 per platform Up to 480 in Virtual Chassis configuration	40 1000BASE-T ports in base unit (48 total with optional uplink modules) via copper SFP optics	48 per EX8200-48T line card. 384 (EX8208) or 768 (EX8216) per chassis
100BASE-FX / 1000BASE-X (SFP) Port Densities	4 per switch (fixed ports, SFP required)	N/A	4 per switch (via optional four-port GbE uplink module)	24 per switch; 28 with optional four-port GbE uplink module Up to 280 in Virtual Chassis configuration	40 1000BASE-X SFP ports in base unit; 48 total with optional uplink modules	48 per EX8200-48F line card. 384 (EX8208) or 768 (EX8216) per chassis
10GBASE-X Port Densities	N/A	24	2 per switch (via optional two-port 10GbE uplink module)	2 per switch (via optional two-port 10GbE uplink module). Up to 20 in Virtual Chassis configuration	40 in base unit; 48 total with optional uplink modules	Line Rate: 8 per EX8200-8XS line card. 64 (EX8208) or 128 (EX8216) per chassis. Over-subscribed: 40 per EX8200-40XS line card. 320 (EX8208) or 640 (EX8216) per chassis
MAC addresses	8k	26k	24k	24k	24k	160k
IPv4 Unicast	6,5k	N/A	16k	16k	8k	Standard 500k. ES models 1M.
Fibre Channel ports	N/A	N/A	N/A	N/A	N/A	N/A
Images						

QFX3500

Form Factor	Fixed Platform
Backplane Speed	N/A
Data Rate	1.28Tbps
Throughput	960 Mpps
10/100/1000 Base-T Port Densities	18 1000Base-T ports via copper SFP optics
100 Base-FX / 1000 Base-X (SFP) Port Densities	36 1000Base-X SFP ports
10GBase-X Port Densities	48
MAC addresses	96k
IPv4 Unicast	12k
Fibre channel ports	12x 2/4/8G FC
40 Gbps port density	4



WIRELESS CONTROLLERS

	WLC-2	WLC-8	WLC-200	WLC-800	WLC-2800
Applications	Small Branch Office	Branch Office/Wiring Closet	Wiring Closet/Data Center	Wiring Closet/Data Center	Data Center
Nr. of WLAs supported	4	12	32 Base; 192 Max	16 Base; 128 Max	64 Base; 512 Max
License Upgrades	N/A	N/A	Multiples of 16	Multiples of 16	Multiples of 64 or 128
Nr. of ports/type	1 x 10/100BASE-T, 1 x 10/100 POE	2 x 10/100BASE-T, 6 x 10/100 POE	4 x 10/100/1000BASE-T (RJ-45); 4 x GE (SFP)	4 x 10/100/1000BASE-T (RJ-45); 4 x GE (SFP)	2 x 10GbE (XFP); 8 x 10/100/1000BASE-T (RJ-45); 8 x GbE (SFP)
Redundant power options	N/A	WLC8: Optional; WLC8R: Standard	Included as Standard	Included as Standard	Optional



WIRELESS ACCESS-POINTS

	WLA371	WLA422	WLA522	WLA432	WLA632
Applications	Indoor Single Radio a/b/g	Indoor Dual Radio a/b/g	Indoor Dual Radio a/b/g/n	Indoor Dual Radio a/b/g/n	Outdoor Dual Radio a/b/g/n
Wireless Protocols	802.11a, 802.11b, 802.11g	802.11a, 802.11b, 802.11g	802.11a, 802.11b, 802.11g, 802.11n	802.11a, 802.11b, 802.11g, 802.11n	802.11a, 802.11b, 802.11g, 802.11n
Nr. of SSIDs supported	32	64	64	64	64
Nr. of ports/type	2 x 10/100 POE (RJ-45)	2 x 10/100 POE (RJ-45)	1 x 10/100/1000 POE (RJ-45)	2 x 10/100/1000 POE (RJ-45)	1 x 10/100/1000 (8-pin DIN)

